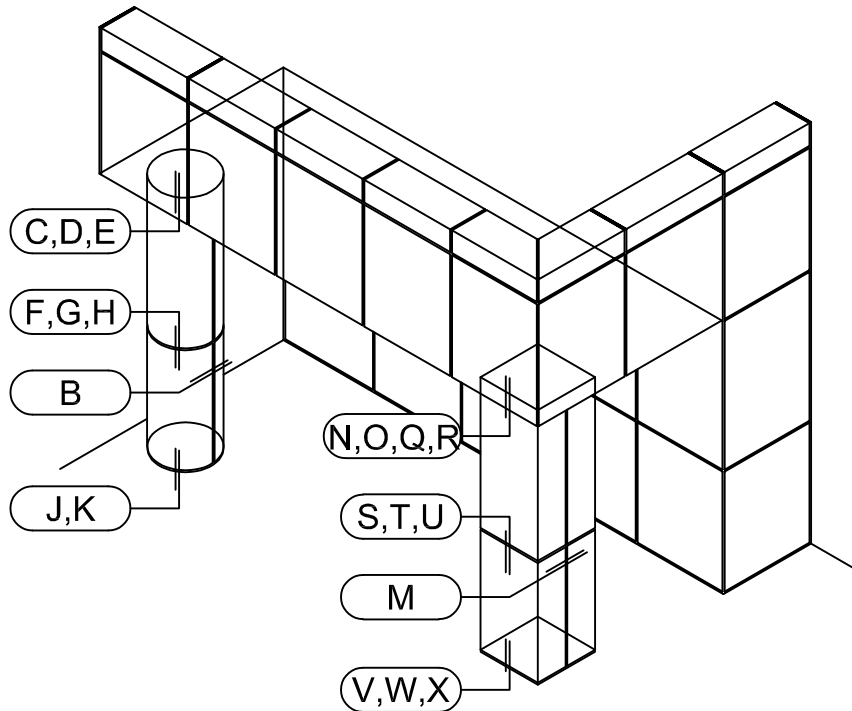


ALUMINUM COLUMN COVER (HAIRLINE JOINT)

NOTE:

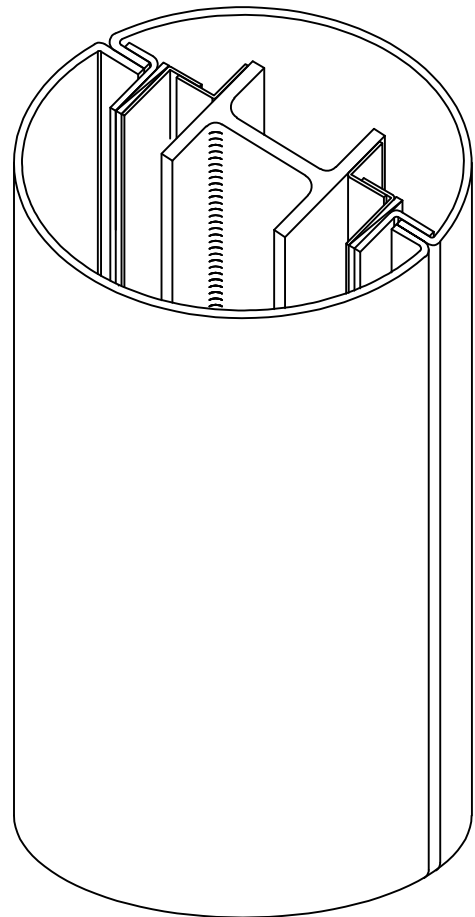
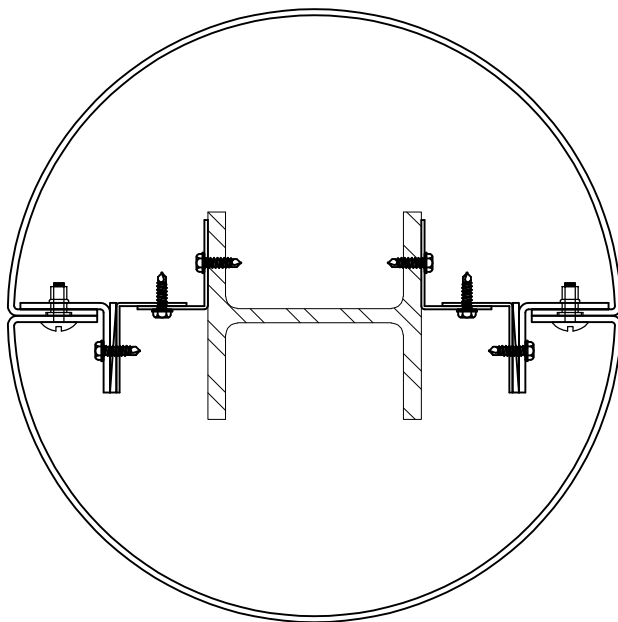
LOAD BEARING WALL COMPONENTS OF EITHER: 16GA STEEL STUDS, STRUCTURAL MEMBERS, MINIMUM 5/8" PLYWOOD OR CONCRETE. GYPSUM BOARD AND CEMENT BOARD ARE NOT A STRUCTURAL COMPONENT.



- | | |
|--|---|
| (A) RADIUSED - ISOMETRIC | (L) RECTANGULAR - ISOMETRIC |
| (B) RADIUSED - VERTICAL DETAIL | (M) RECTANGULAR - VERTICAL DETAIL |
| (C) RADIUSED - HEAD DETAIL (1) | (N) RECTANGULAR - HEAD DETAIL (1) |
| (D) RADIUSED - HEAD DETAIL (2) | (P) RECTANGULAR - HEAD DETAIL (2) |
| (E) RADIUSED - HEAD DETAIL (3) | (Q) RECTANGULAR - HEAD DETAIL (3) |
| (F) RADIUSED - INTERMEDIATE DETAIL (1) | (R) RECTANGULAR - HEAD DETAIL (4) |
| (G) RADIUSED - INTERMEDIATE DETAIL (2) | (S) RECTANGULAR - INTERMEDIATE DETAIL (1) |
| (H) RADIUSED - INTERMEDIATE DETAIL (3) | (T) RECTANGULAR - INTERMEDIATE DETAIL (2) |
| (J) RADIUSED - BASE DETAIL (1) | (U) RECTANGULAR - INTERMEDIATE DETAIL (3) |
| (K) RADIUSED - BASE DETAIL (2) | (V) RECTANGULAR - BASE DETAIL (1) |
| | (W) RECTANGULAR - BASE DETAIL (2) |
| | (X) RECTANGULAR - BASE DETAIL (3) |
| | (Y) INSTALLATION GUIDE |

RADIUSED - ISOMETRIC**DETAIL A****NOTE:**

LOAD BEARING WALL COMPONENTS OF EITHER: 16GA STEEL STUDS, STRUCTURAL MEMBERS, MINIMUM 5/8" PLYWOOD OR CONCRETE. GYPSUM BOARD AND CEMENT BOARD ARE NOT A STRUCTURAL COMPONENT.



MINIMUM RADIUS (5 1/2") MAX LENGTH PER PANEL (16'-0")

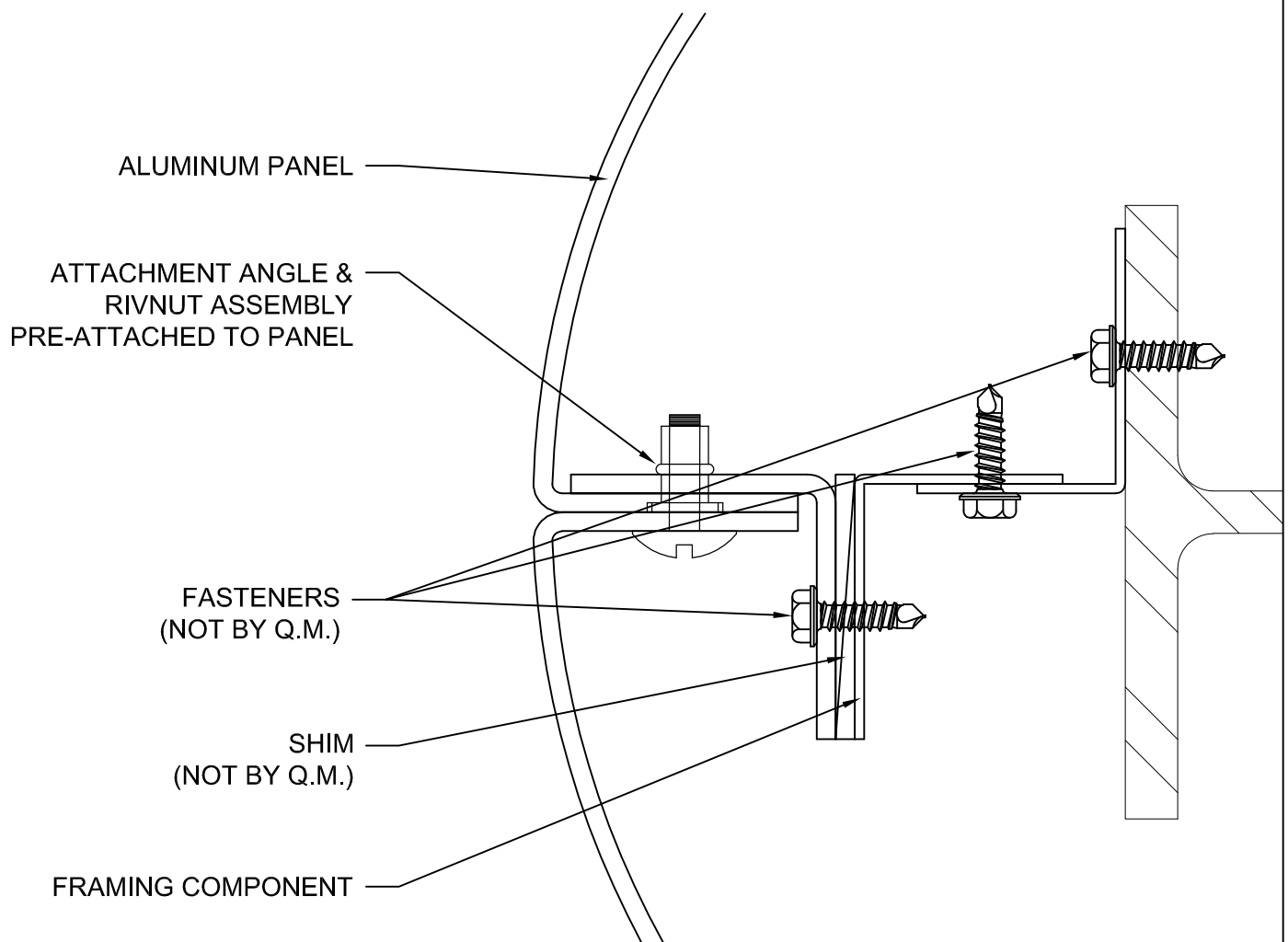
COPYRIGHT AMERICLAD, LLC

21925 Industrial Boulevard · Rogers, Minnesota · Toll-Free: 1-866-260-4047 · americlad.com

Architectural Metal Products

RADIUSED - VERTICAL DETAIL**DETAIL B****NOTE:**

LOAD BEARING WALL COMPONENTS OF EITHER: 16GA STEEL STUDS, STRUCTURAL MEMBERS, MINIMUM 5/8" PLYWOOD OR CONCRETE. GYPSUM BOARD AND CEMENT BOARD ARE NOT A STRUCTURAL COMPONENT.

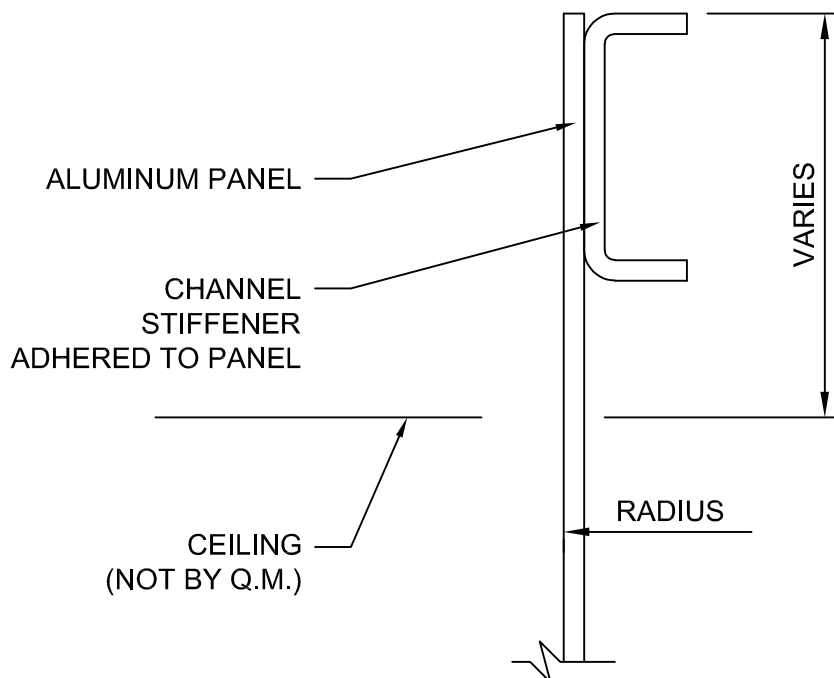


RADIUSED - HEAD DETAIL (1)

DETAIL C

NOTE:

LOAD BEARING WALL COMPONENTS OF EITHER: 16GA STEEL STUDS, STRUCTURAL MEMBERS, MINIMUM 5/8" PLYWOOD OR CONCRETE. GYPSUM BOARD AND CEMENT BOARD ARE NOT A STRUCTURAL COMPONENT.

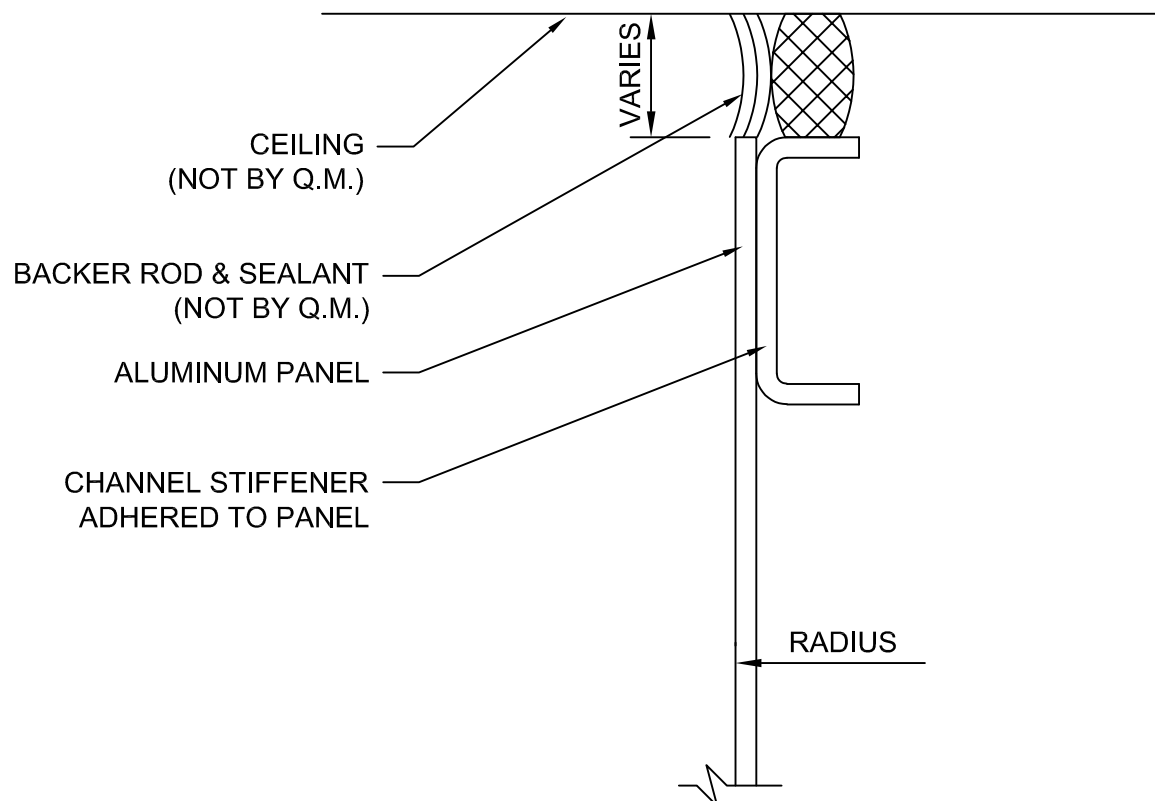


RADIUSED - HEAD DETAIL (2)

DETAIL D

NOTE:

LOAD BEARING WALL COMPONENTS OF EITHER: 16GA STEEL STUDS, STRUCTURAL MEMBERS, MINIMUM 5/8" PLYWOOD OR CONCRETE. GYPSUM BOARD AND CEMENT BOARD ARE NOT A STRUCTURAL COMPONENT.



BACKER ROD & SEALANT (OPTIONAL)

COPYRIGHT AMERICLAD, LLC

21925 Industrial Boulevard · Rogers, Minnesota · Toll-Free: 1-866-260-4047 · americlad.com

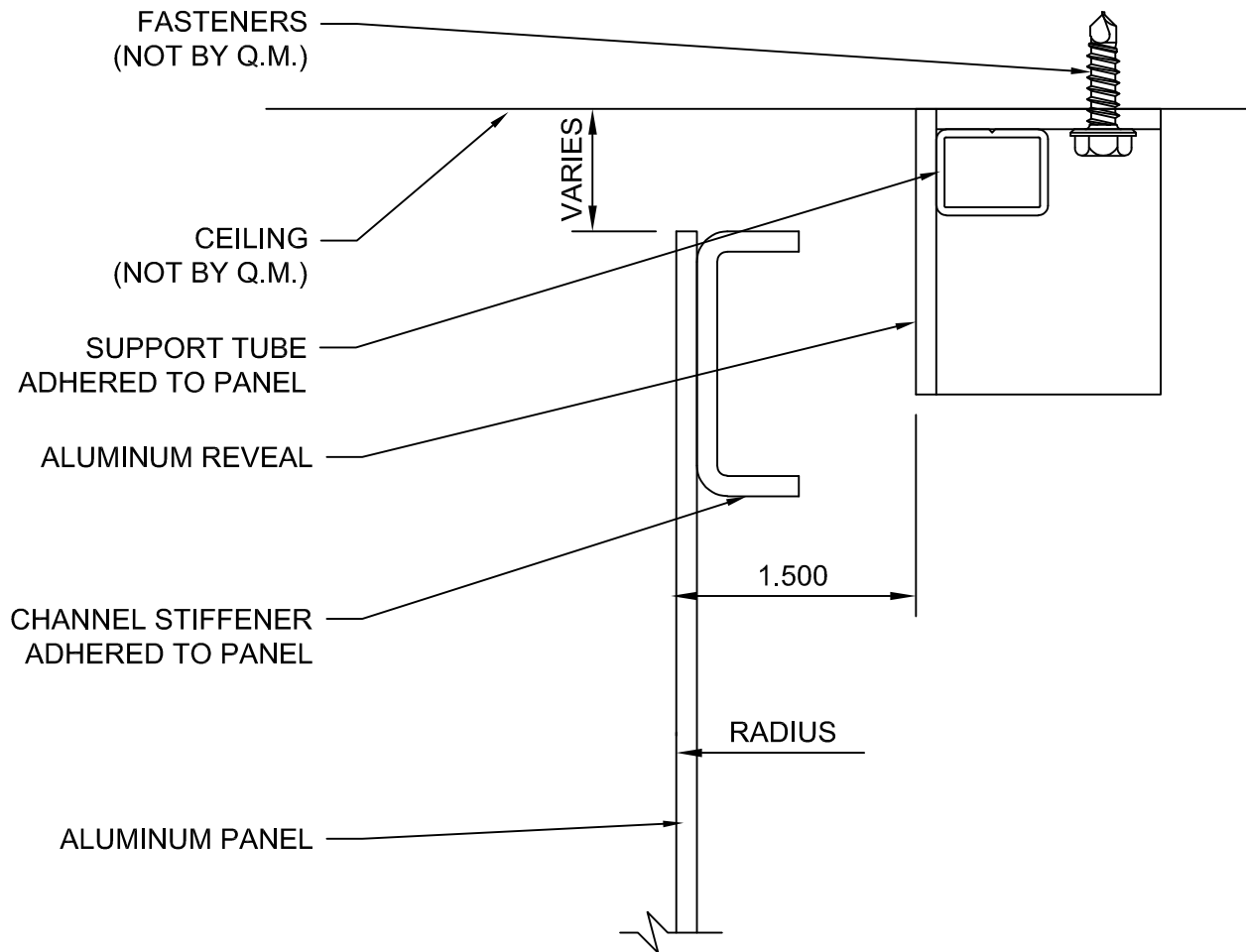
Architectural Metal Products

RADIUSED - HEAD DETAIL (3)

DETAIL E

NOTE:

LOAD BEARING WALL COMPONENTS OF EITHER: 16GA STEEL STUDS, STRUCTURAL MEMBERS, MINIMUM 5/8" PLYWOOD OR CONCRETE. GYPSUM BOARD AND CEMENT BOARD ARE NOT A STRUCTURAL COMPONENT.

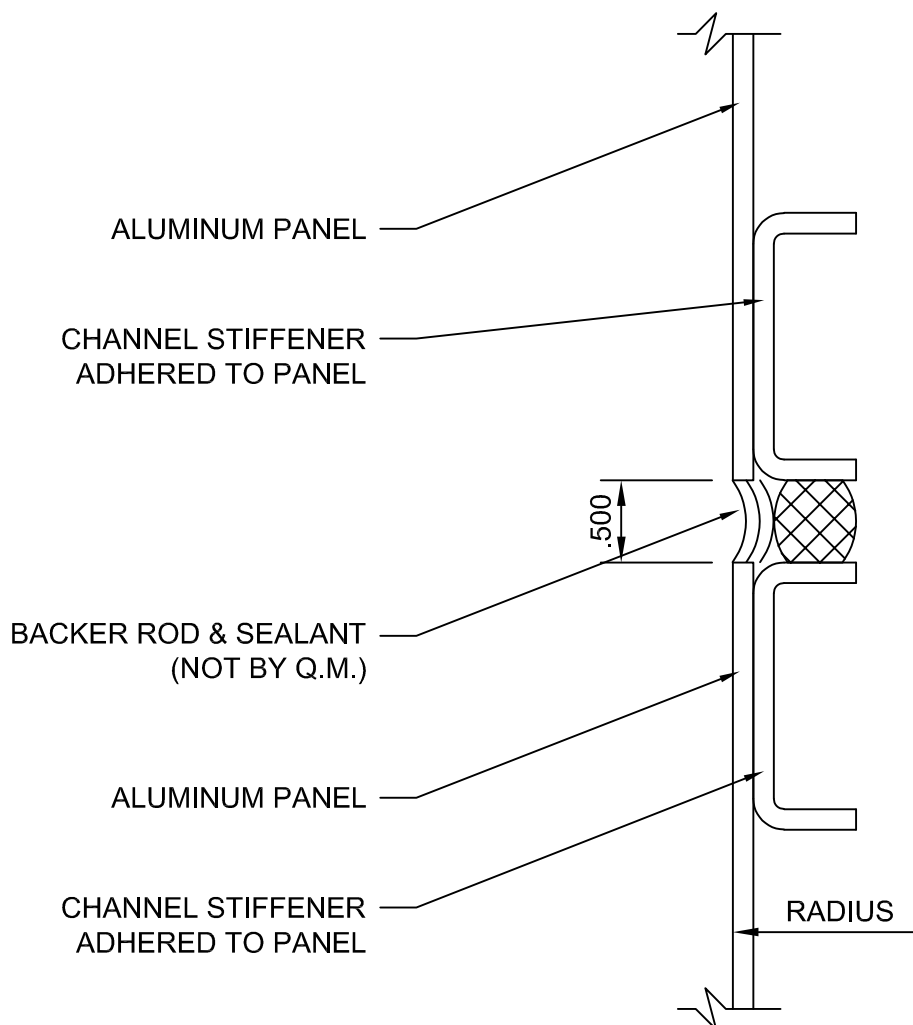


RADIUSED - INTERMEDIATE DETAIL (1)

DETAIL F

NOTE:

LOAD BEARING WALL COMPONENTS OF EITHER: 16GA STEEL STUDS, STRUCTURAL MEMBERS, MINIMUM 5/8" PLYWOOD OR CONCRETE. GYPSUM BOARD AND CEMENT BOARD ARE NOT A STRUCTURAL COMPONENT.

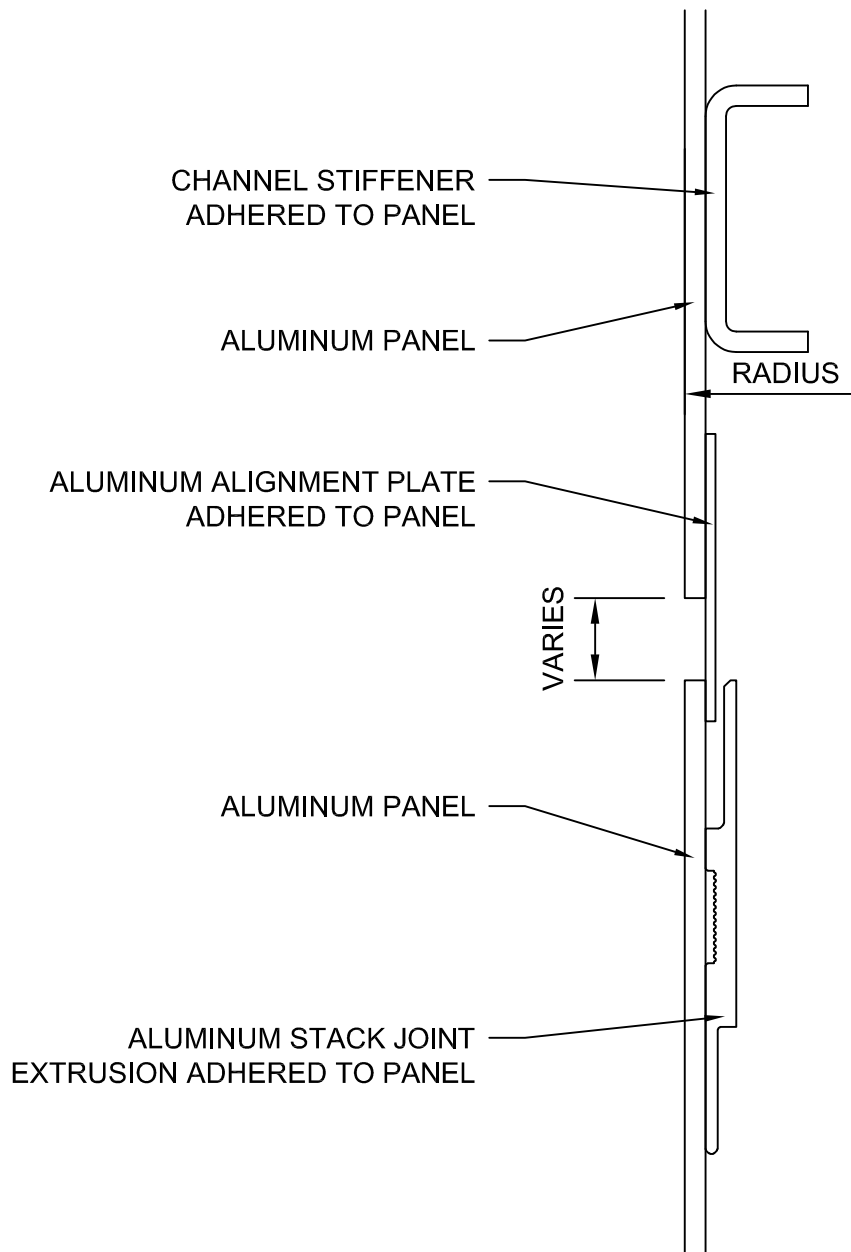


RADIUSED - INTERMEDIATE DETAIL (2)

DETAIL G

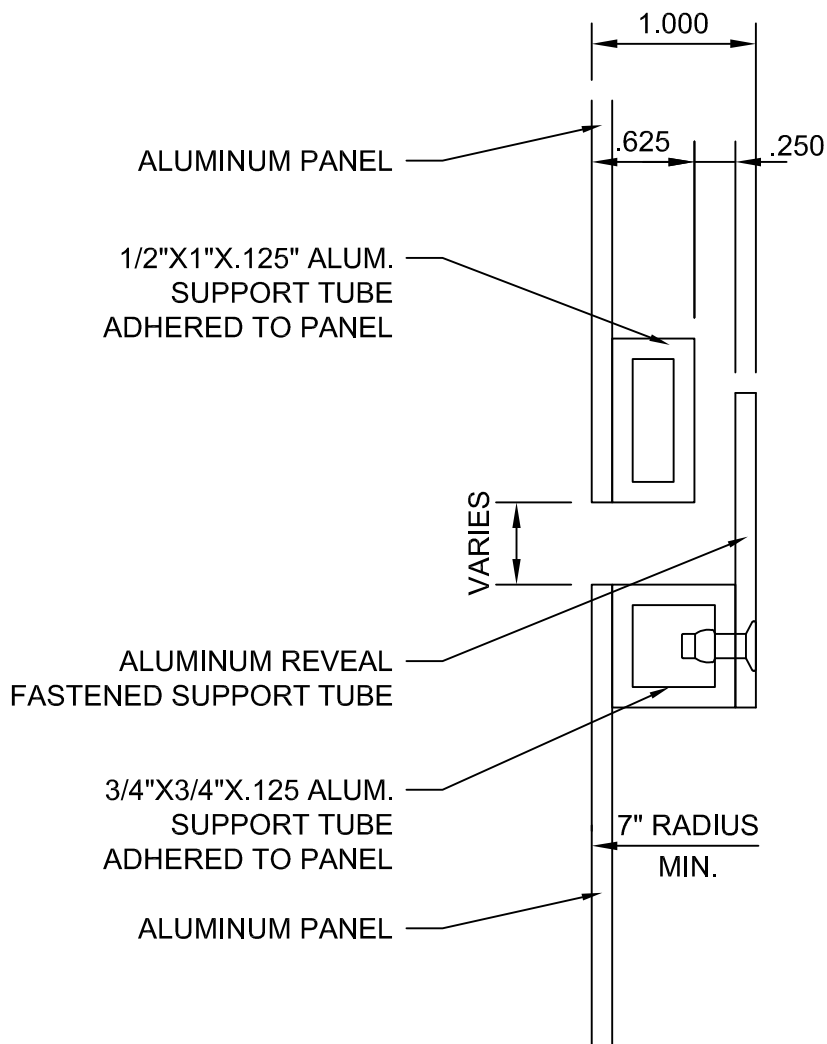
NOTE:

LOAD BEARING WALL COMPONENTS OF EITHER: 16GA STEEL STUDS, STRUCTURAL MEMBERS, MINIMUM 5/8" PLYWOOD OR CONCRETE. GYPSUM BOARD AND CEMENT BOARD ARE NOT A STRUCTURAL COMPONENT.



RADIUSED - INTERMEDIATE DETAIL (3)
DETAIL H
NOTE:

LOAD BEARING WALL COMPONENTS OF EITHER: 16GA STEEL STUDS, STRUCTURAL MEMBERS, MINIMUM 5/8" PLYWOOD OR CONCRETE. GYPSUM BOARD AND CEMENT BOARD ARE NOT A STRUCTURAL COMPONENT.

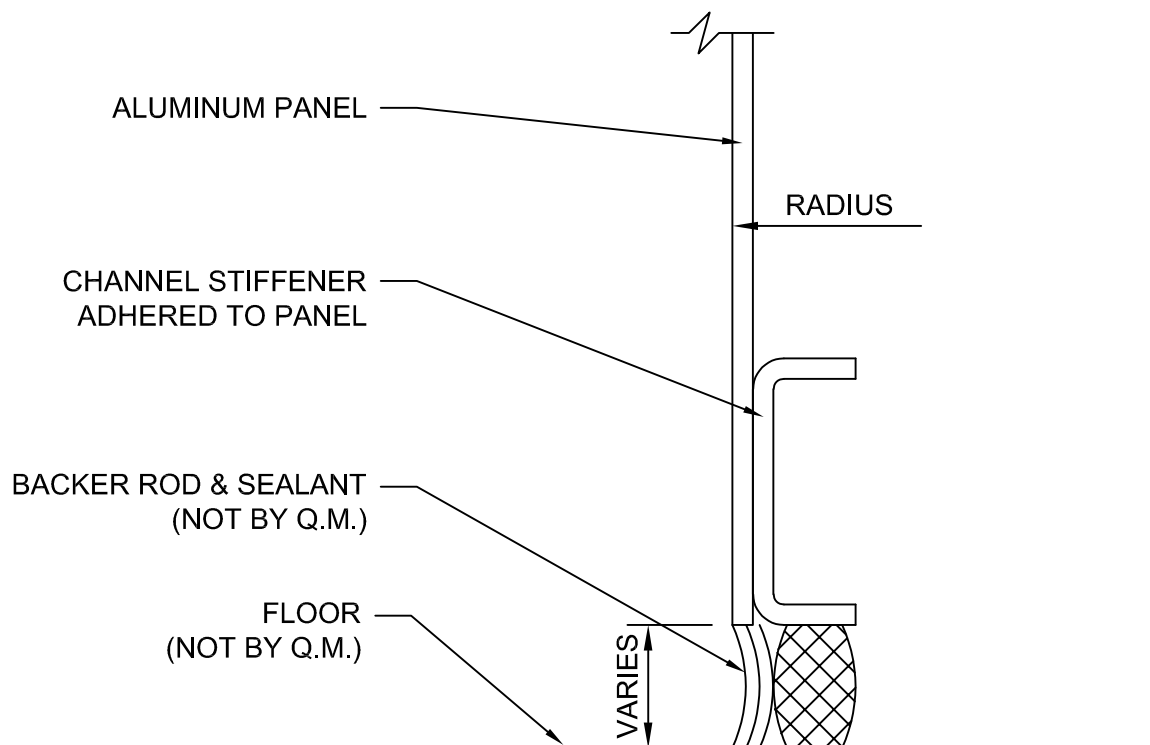


RADIUSED - BASE DETAIL (1)

DETAIL J

NOTE:

LOAD BEARING WALL COMPONENTS OF EITHER: 16GA STEEL STUDS, STRUCTURAL MEMBERS, MINIMUM 5/8" PLYWOOD OR CONCRETE. GYPSUM BOARD AND CEMENT BOARD ARE NOT A STRUCTURAL COMPONENT.

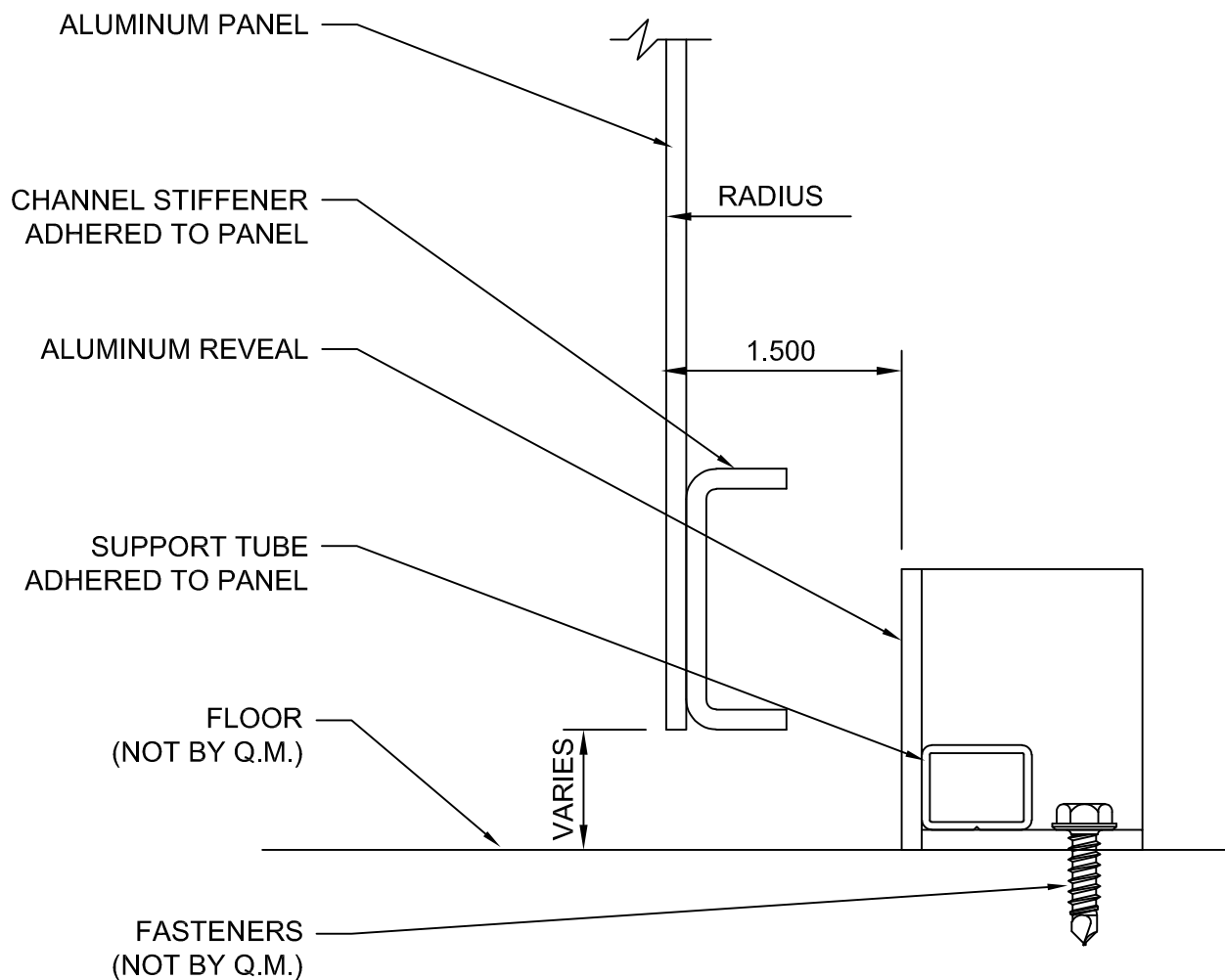


RADIUSED - BASE DETAIL (2)

DETAIL K

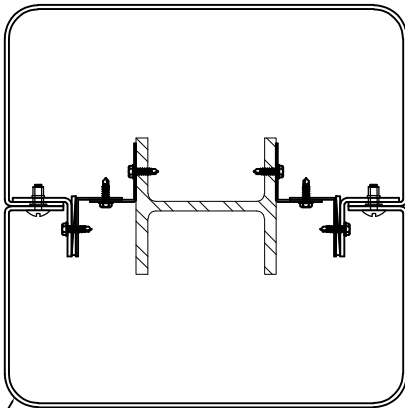
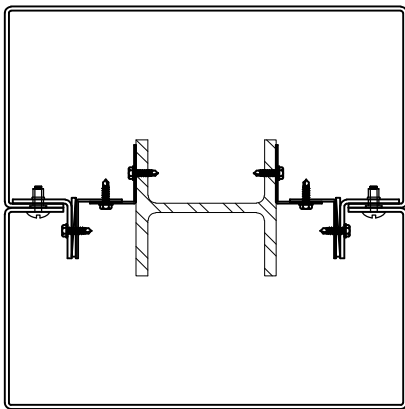
NOTE:

LOAD BEARING WALL COMPONENTS OF EITHER: 16GA STEEL STUDS, STRUCTURAL MEMBERS, MINIMUM 5/8" PLYWOOD OR CONCRETE. GYPSUM BOARD AND CEMENT BOARD ARE NOT A STRUCTURAL COMPONENT.

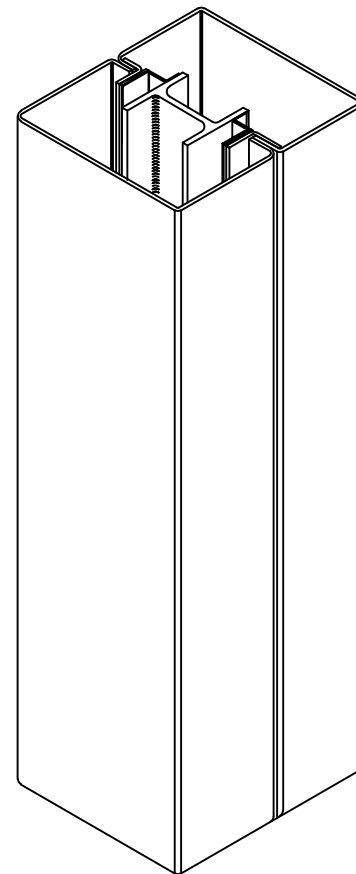


RECTANGULAR - ISOMETRIC**DETAIL L****NOTE:**

LOAD BEARING WALL COMPONENTS OF EITHER: 16GA STEEL STUDS, STRUCTURAL MEMBERS, MINIMUM 5/8" PLYWOOD OR CONCRETE. GYPSUM BOARD AND CEMENT BOARD ARE NOT A STRUCTURAL COMPONENT.



R1.000

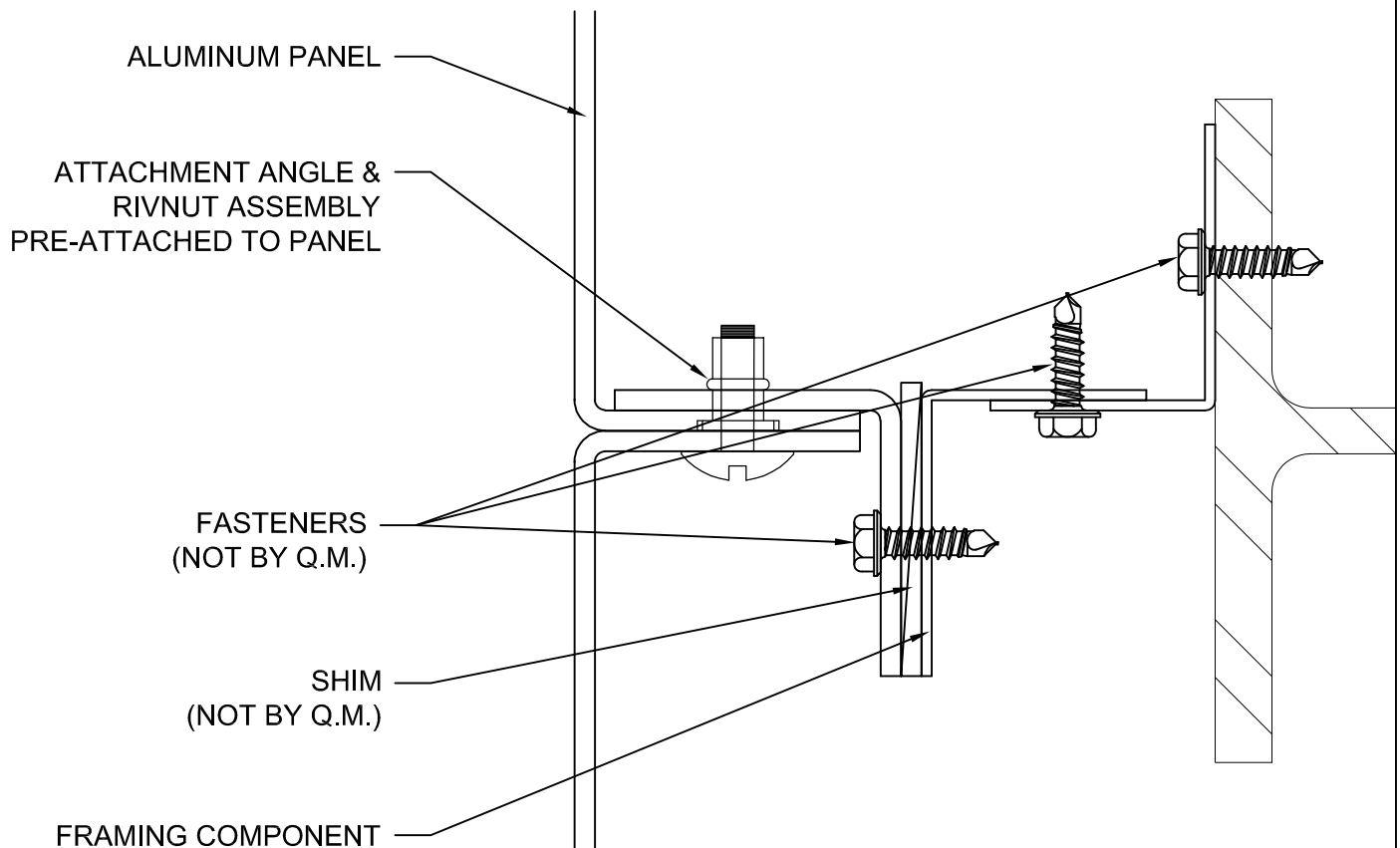


RECTANGULAR - VERTICAL DETAIL

DETAIL M

NOTE:

LOAD BEARING WALL COMPONENTS OF EITHER: 16GA STEEL STUDS, STRUCTURAL MEMBERS, MINIMUM 5/8" PLYWOOD OR CONCRETE. GYPSUM BOARD AND CEMENT BOARD ARE NOT A STRUCTURAL COMPONENT.

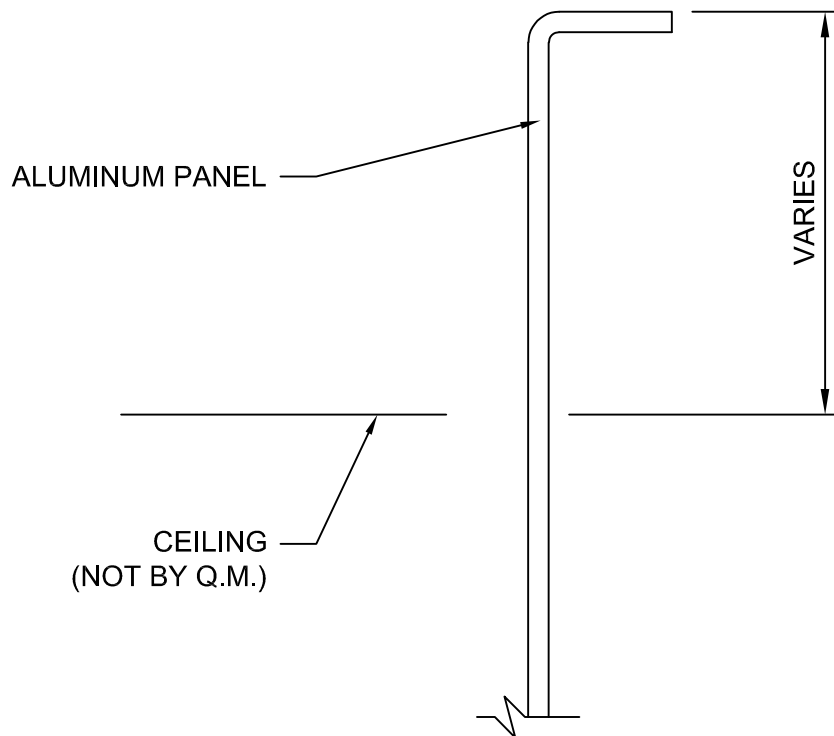


RECTANGULAR - HEAD DETAIL (1)

DETAIL N

NOTE:

LOAD BEARING WALL COMPONENTS OF EITHER: 16GA STEEL STUDS, STRUCTURAL MEMBERS, MINIMUM 5/8" PLYWOOD OR CONCRETE. GYPSUM BOARD AND CEMENT BOARD ARE NOT A STRUCTURAL COMPONENT.

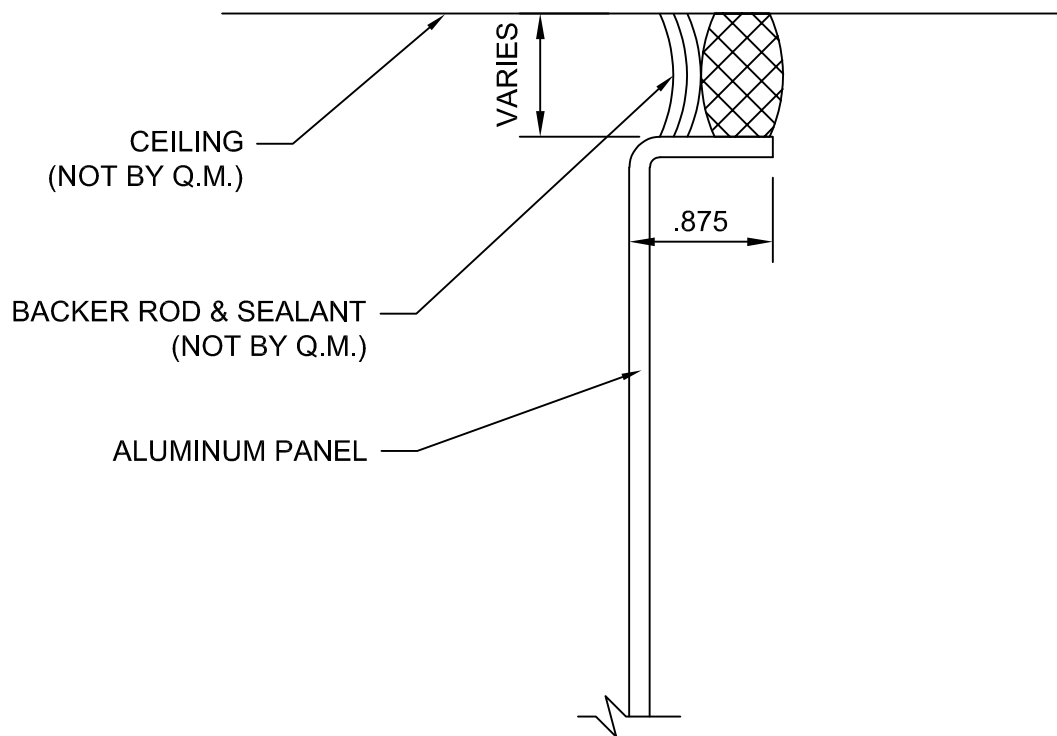


RECTANGULAR - HEAD DETAIL (2)

DETAIL P

NOTE:

LOAD BEARING WALL COMPONENTS OF EITHER: 16GA STEEL STUDS, STRUCTURAL MEMBERS, MINIMUM 5/8" PLYWOOD OR CONCRETE. GYPSUM BOARD AND CEMENT BOARD ARE NOT A STRUCTURAL COMPONENT.



BACKER ROD & SEALANT (OPTIONAL)

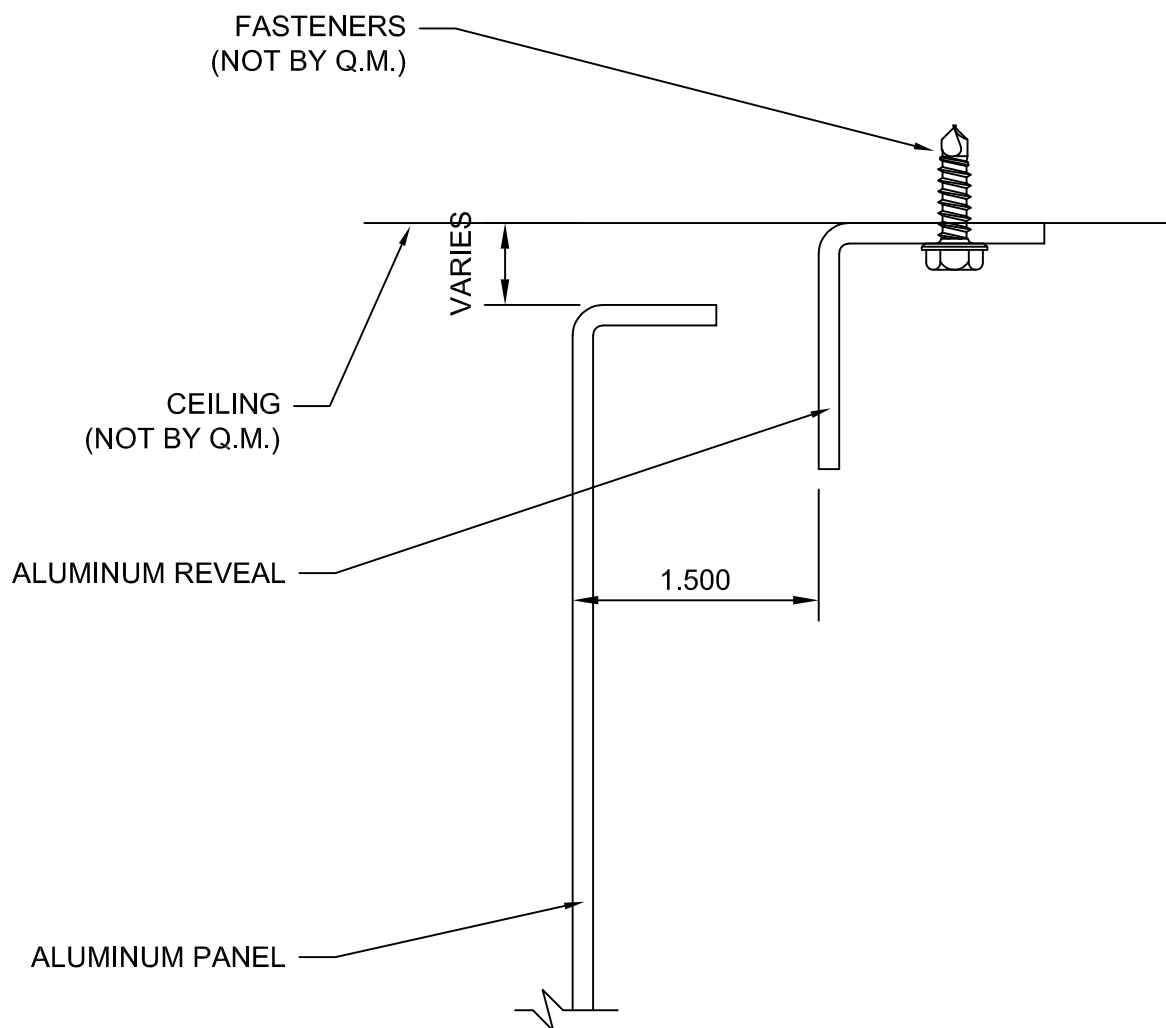
COPYRIGHT AMERICLAD, LLC

RECTANGULAR - HEAD DETAIL (3)

DETAIL Q

NOTE:

LOAD BEARING WALL COMPONENTS OF EITHER: 16GA STEEL STUDS, STRUCTURAL MEMBERS, MINIMUM 5/8" PLYWOOD OR CONCRETE. GYPSUM BOARD AND CEMENT BOARD ARE NOT A STRUCTURAL COMPONENT.

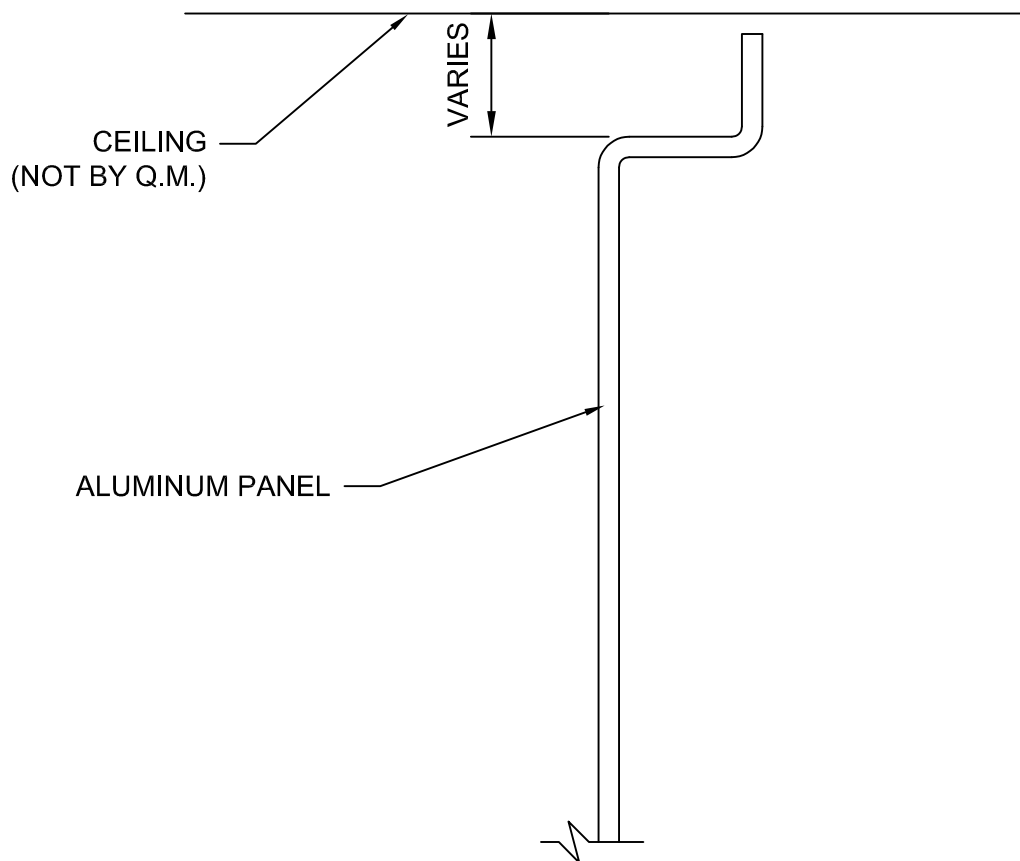


RECTANGULAR - HEAD DETAIL (4)

DETAIL R

NOTE:

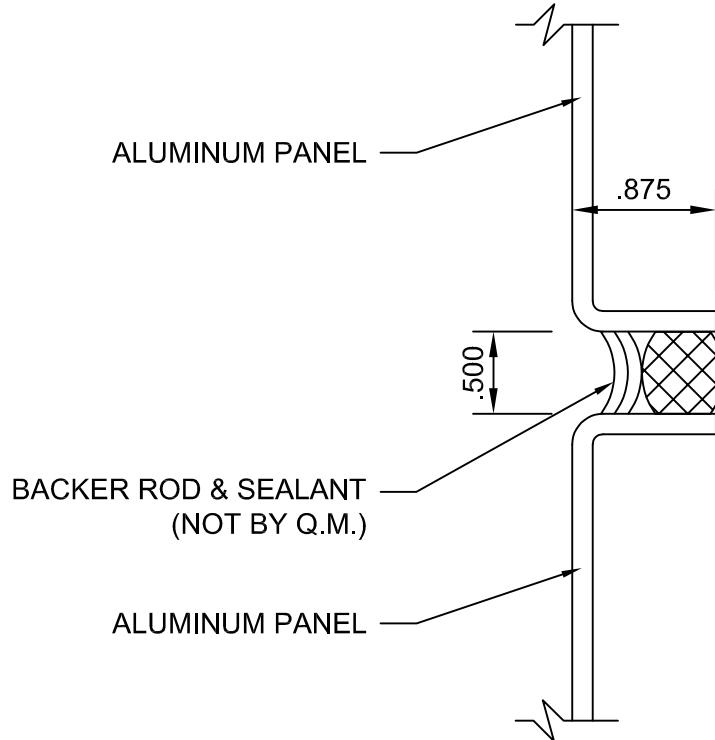
LOAD BEARING WALL COMPONENTS OF EITHER: 16GA STEEL STUDS, STRUCTURAL MEMBERS, MINIMUM 5/8" PLYWOOD OR CONCRETE. GYPSUM BOARD AND CEMENT BOARD ARE NOT A STRUCTURAL COMPONENT.



RECTANGULAR - INTERMEDIATE DETAIL (1) DETAIL S

NOTE:

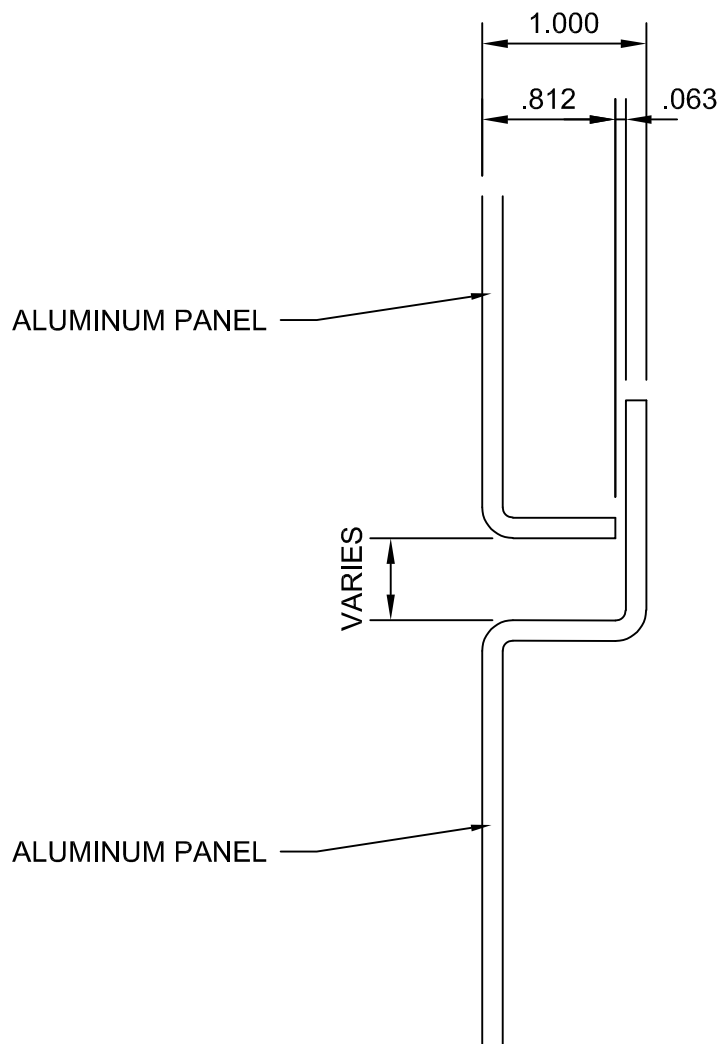
LOAD BEARING WALL COMPONENTS OF EITHER: 16GA STEEL STUDS, STRUCTURAL MEMBERS, MINIMUM 5/8" PLYWOOD OR CONCRETE. GYPSUM BOARD AND CEMENT BOARD ARE NOT A STRUCTURAL COMPONENT.



RECTANGULAR - INTERMEDIATE DETAIL (2) DETAIL T

NOTE:

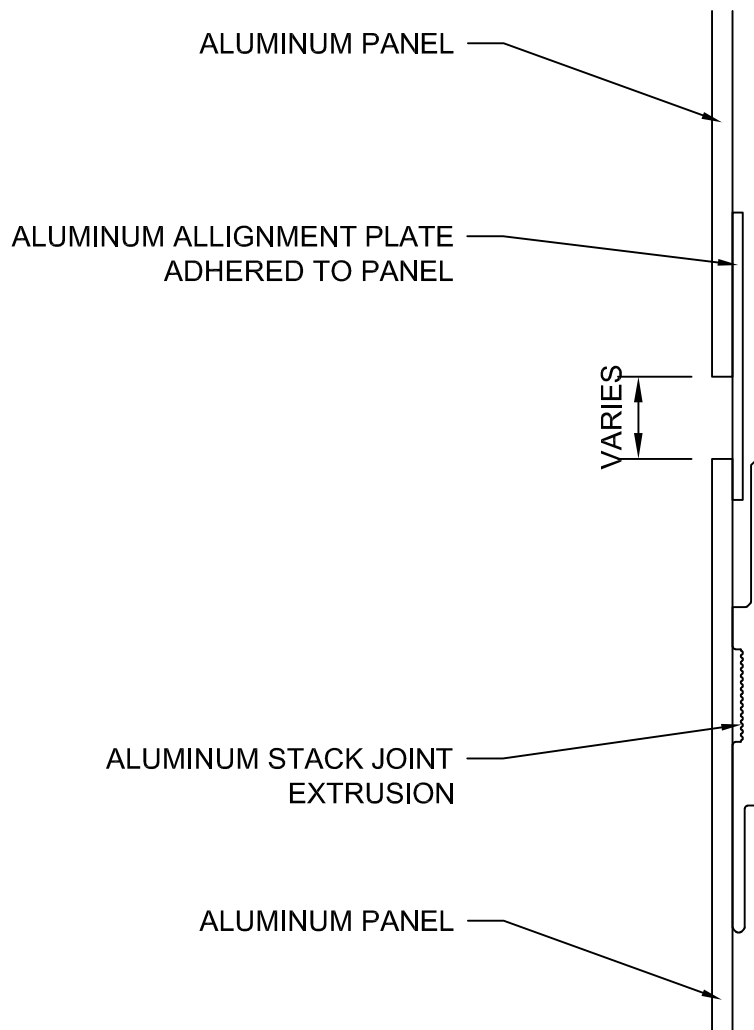
LOAD BEARING WALL COMPONENTS OF EITHER: 16GA STEEL STUDS, STRUCTURAL MEMBERS, MINIMUM 5/8" PLYWOOD OR CONCRETE. GYPSUM BOARD AND CEMENT BOARD ARE NOT A STRUCTURAL COMPONENT.



RECTANGULAR - INTERMEDIATE DETAIL (3) DETAIL U

NOTE:

LOAD BEARING WALL COMPONENTS OF EITHER: 16GA STEEL STUDS, STRUCTURAL MEMBERS, MINIMUM 5/8" PLYWOOD OR CONCRETE. GYPSUM BOARD AND CEMENT BOARD ARE NOT A STRUCTURAL COMPONENT.

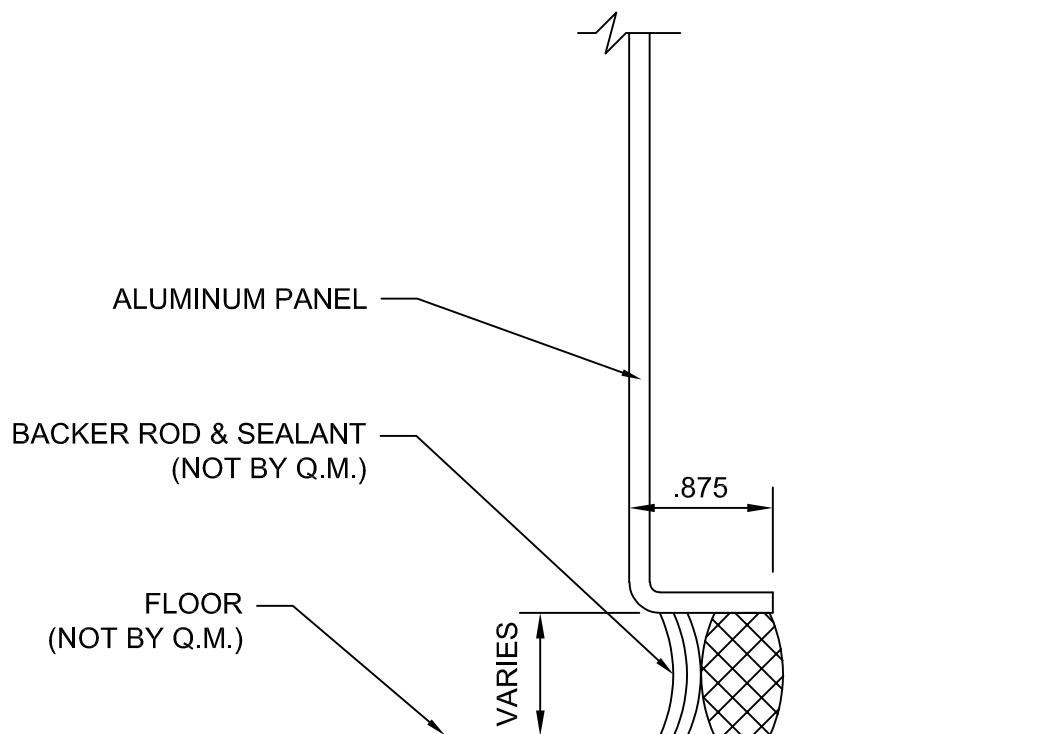


RECTANGULAR - BASE DETAIL (1)

DETAIL V

NOTE:

LOAD BEARING WALL COMPONENTS OF EITHER: 16GA STEEL STUDS, STRUCTURAL MEMBERS, MINIMUM 5/8" PLYWOOD OR CONCRETE. GYPSUM BOARD AND CEMENT BOARD ARE NOT A STRUCTURAL COMPONENT.



BACKER ROD & SEALANT (OPTIONAL)

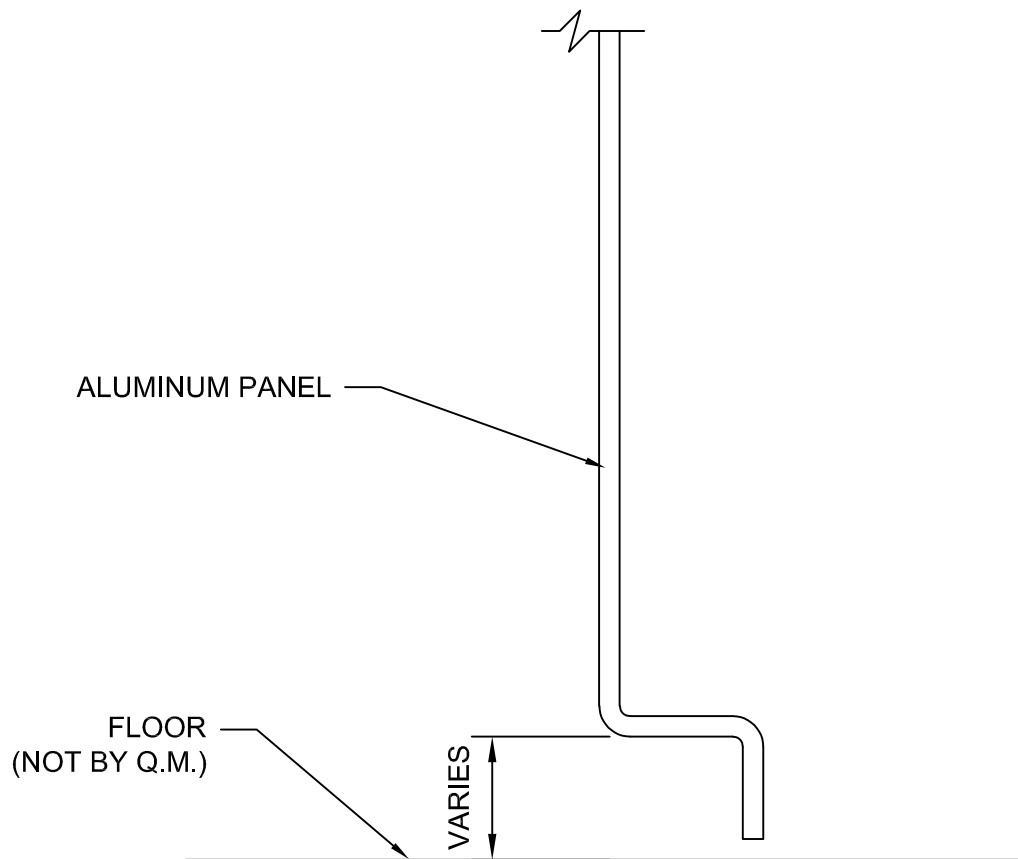
COPYRIGHT AMERICLAD, LLC

RECTANGULAR - BASE DETAIL (2)

DETAIL W

NOTE:

LOAD BEARING WALL COMPONENTS OF EITHER: 16GA STEEL STUDS, STRUCTURAL MEMBERS, MINIMUM 5/8" PLYWOOD OR CONCRETE. GYPSUM BOARD AND CEMENT BOARD ARE NOT A STRUCTURAL COMPONENT.

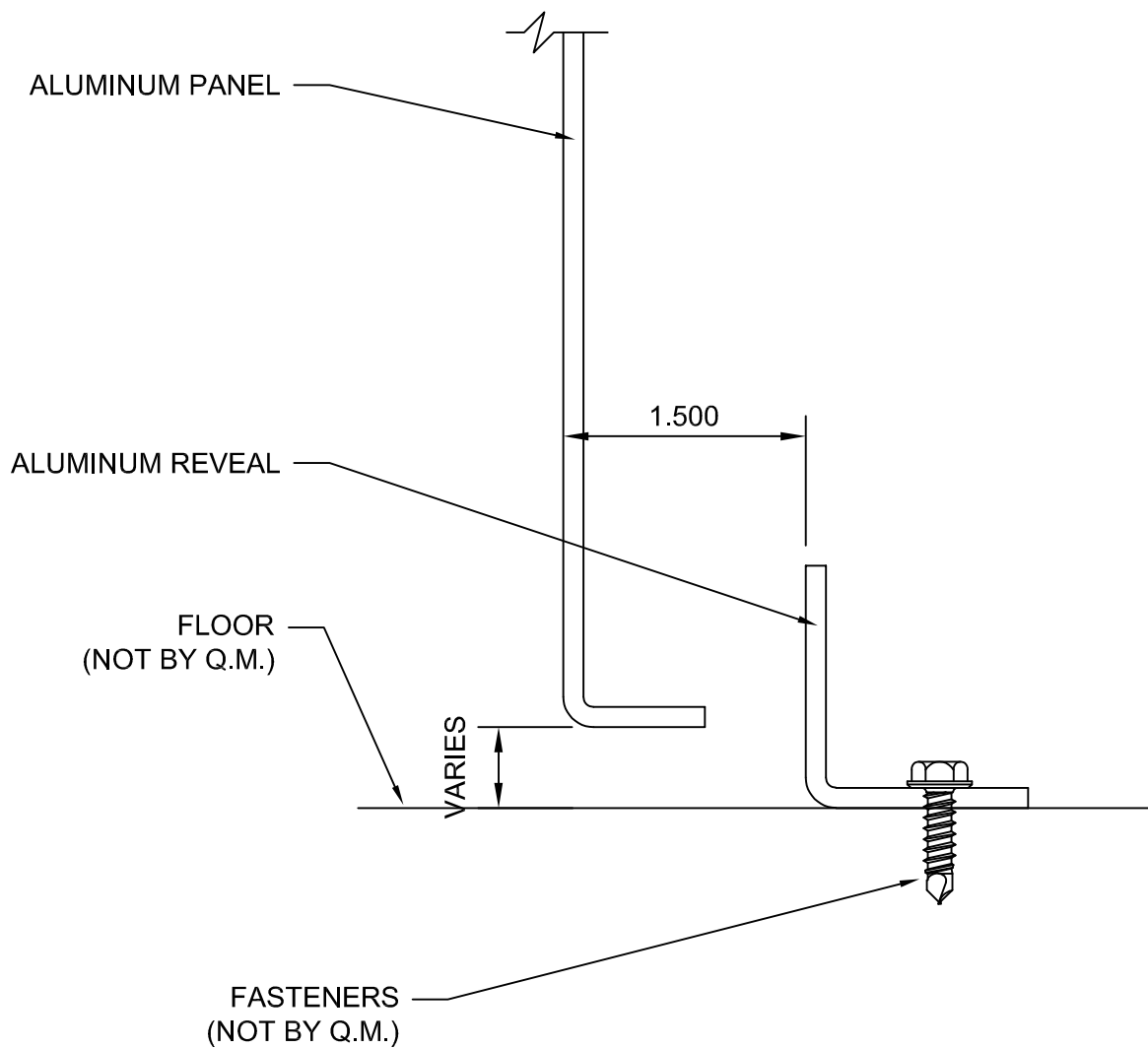


RECTANGULAR - BASE DETAIL (3)

DETAIL X

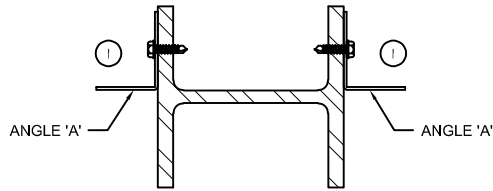
NOTE:

LOAD BEARING WALL COMPONENTS OF EITHER: 16GA STEEL STUDS, STRUCTURAL MEMBERS, MINIMUM 5/8" PLYWOOD OR CONCRETE. GYPSUM BOARD AND CEMENT BOARD ARE NOT A STRUCTURAL COMPONENT.

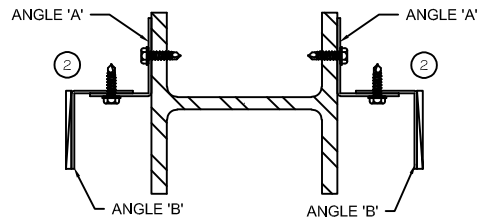


ALUMINUM COLUMN COVER (HAIRLINE JOINT)
INSTALLATION GUIDE

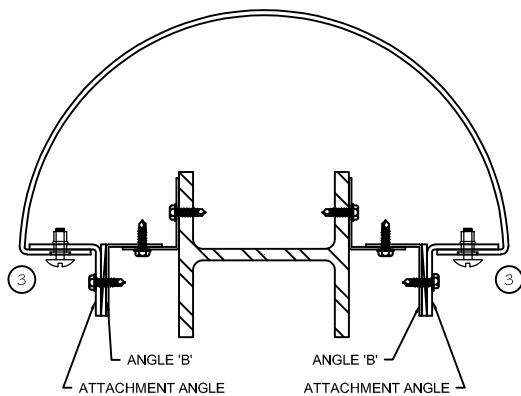
DETAIL Y



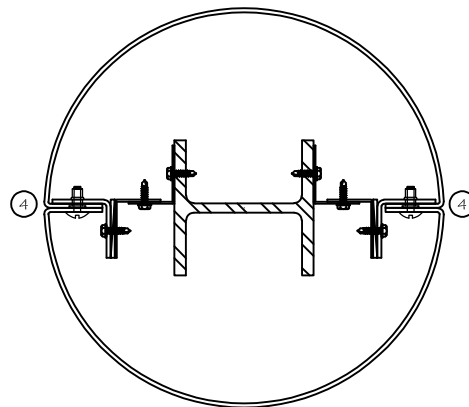
① FASTEN FRAMING ANGLE 'A' TO EACH SIDE OF STRUCTURAL COLUMN



② FASTEN FRAMING ANGLE 'B' PLUMB TO EACH ANGLE 'A'
(SHIM AS REQUIRED)



③ FASTEN FIRST COLUMN COVER PANEL, FASTENING THRU
ATTACHMENT ANGLE INTO ANGLE 'B'



④ INSTALL SECOND COLUMN COVER PANEL, LINE UP KEYSLOT
WITH ADJACENT RIVNUT ASSEMBLY'S, FULL PANEL DOWN
TO LOCK PANEL INTO FINAL POSITION.